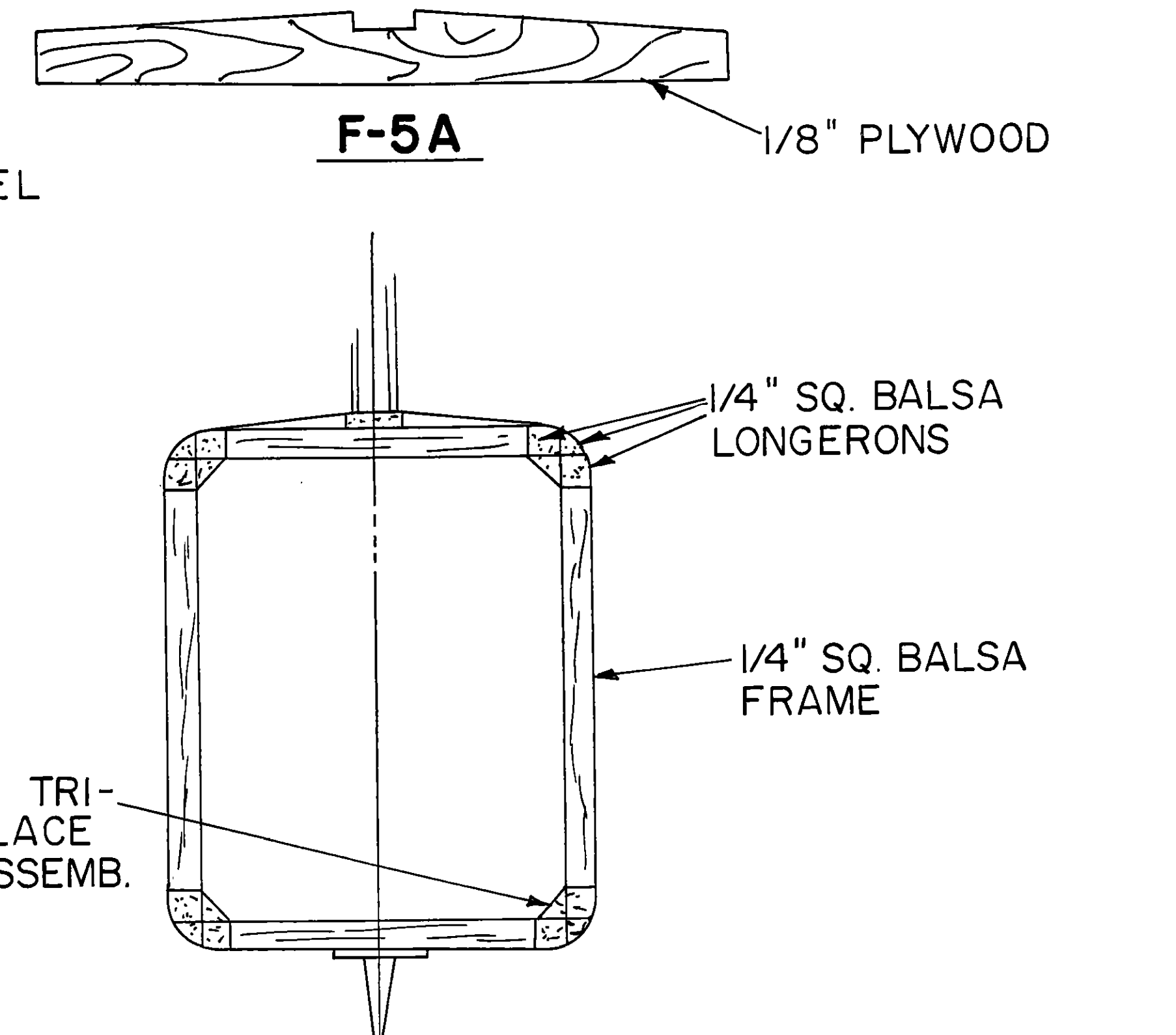
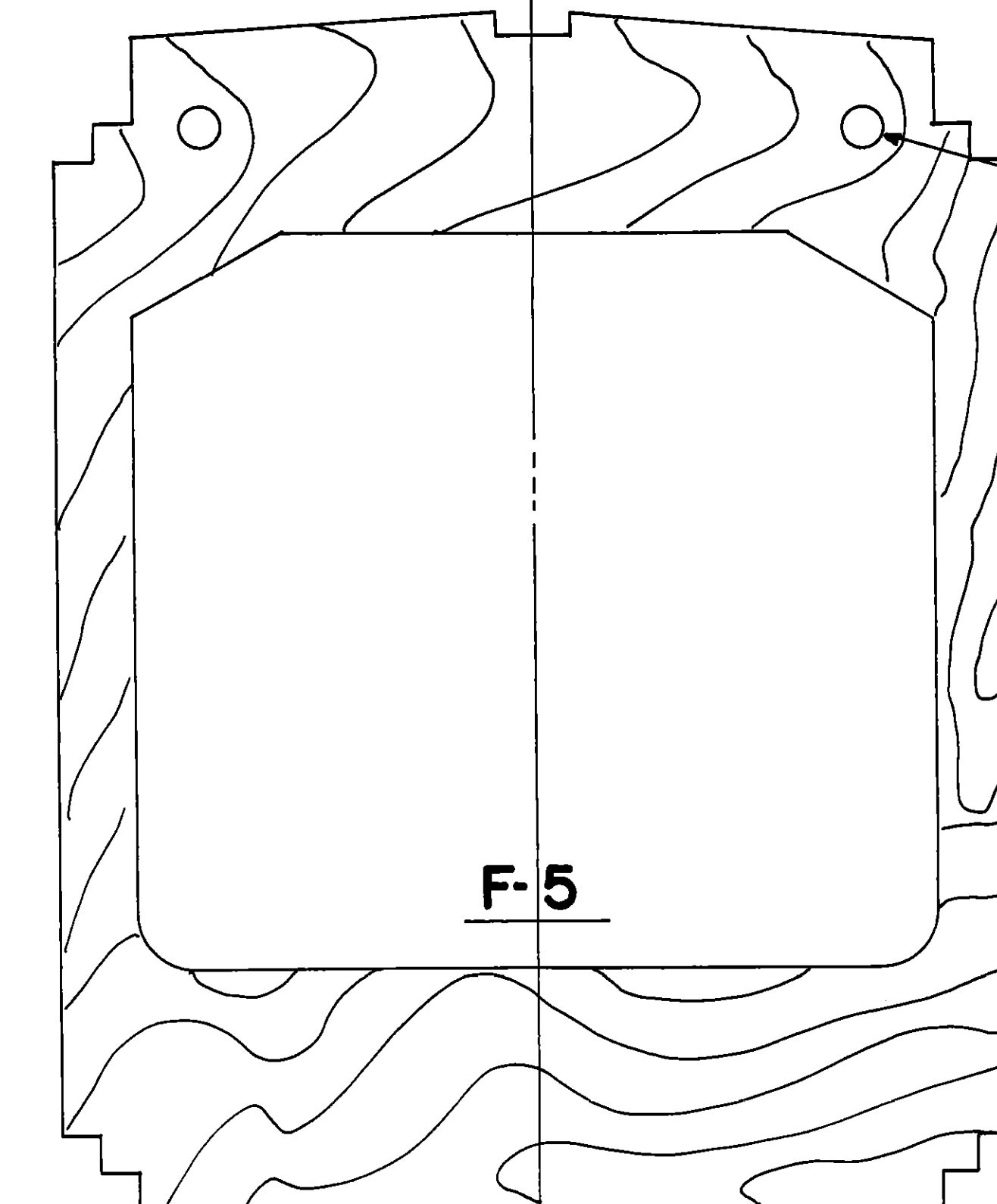
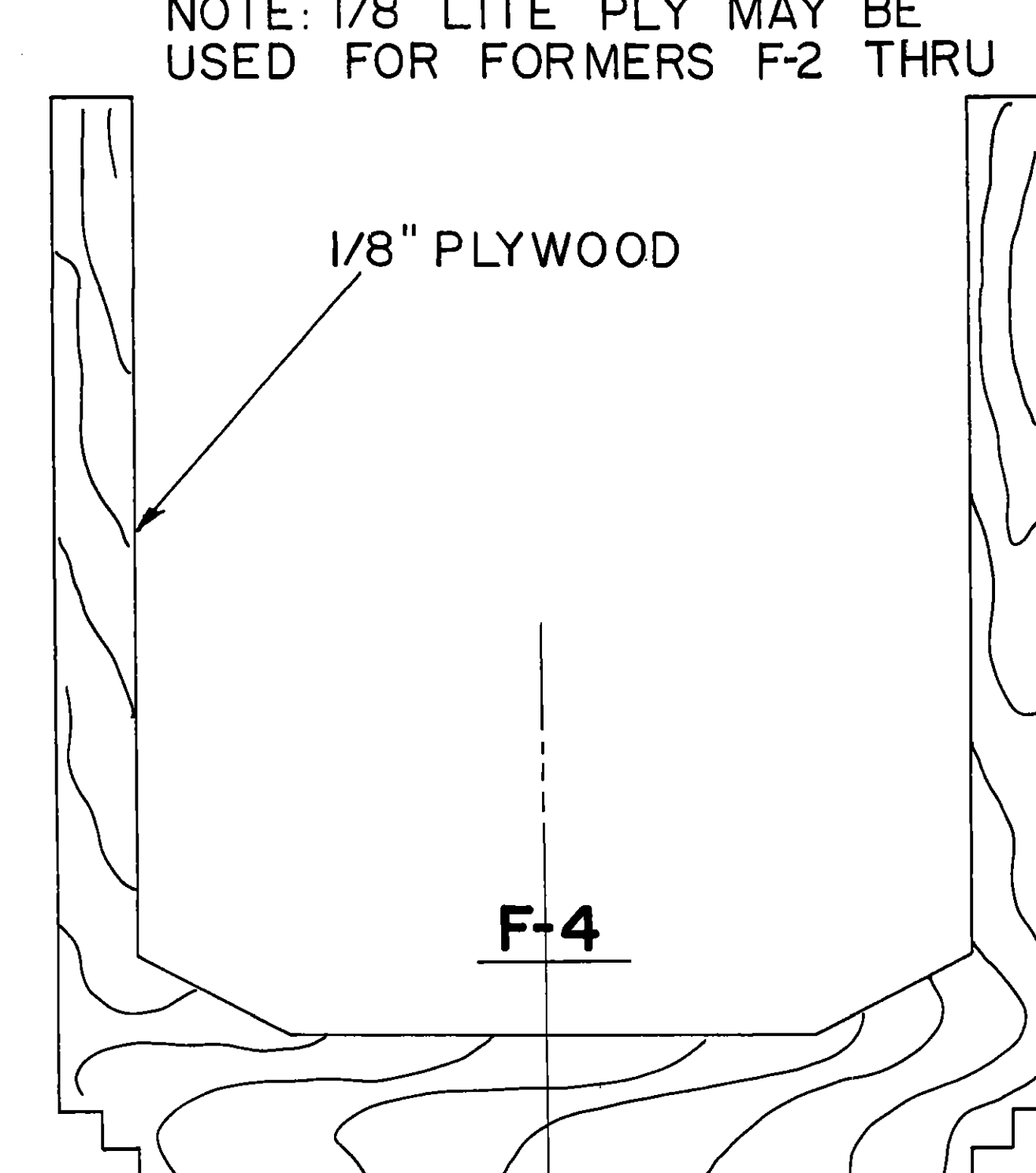
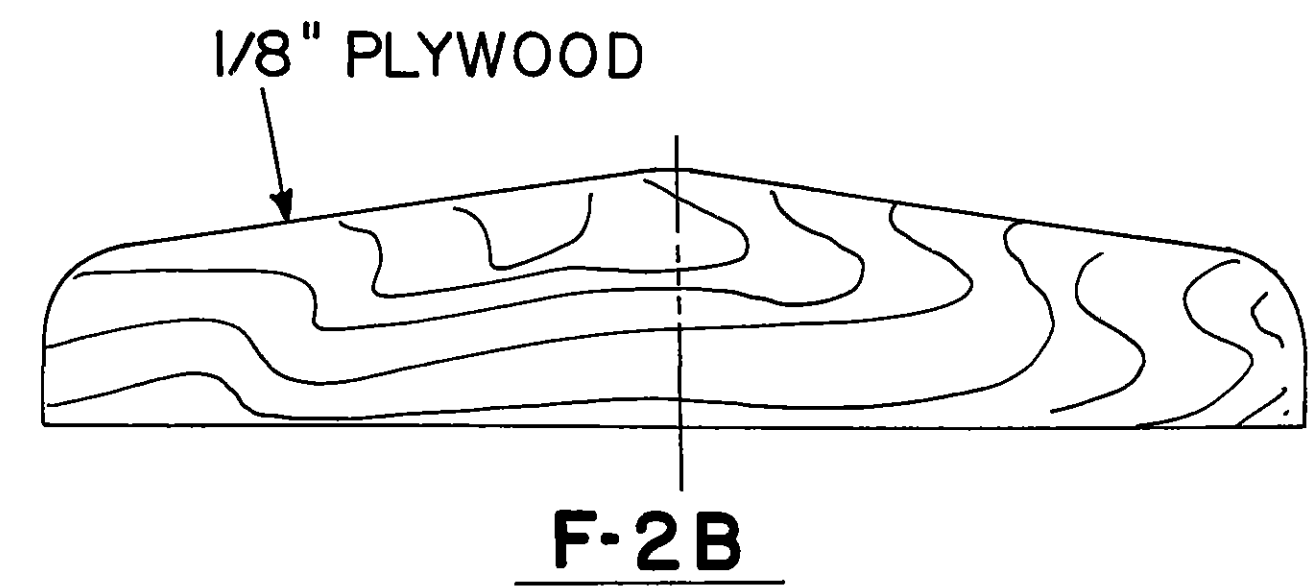
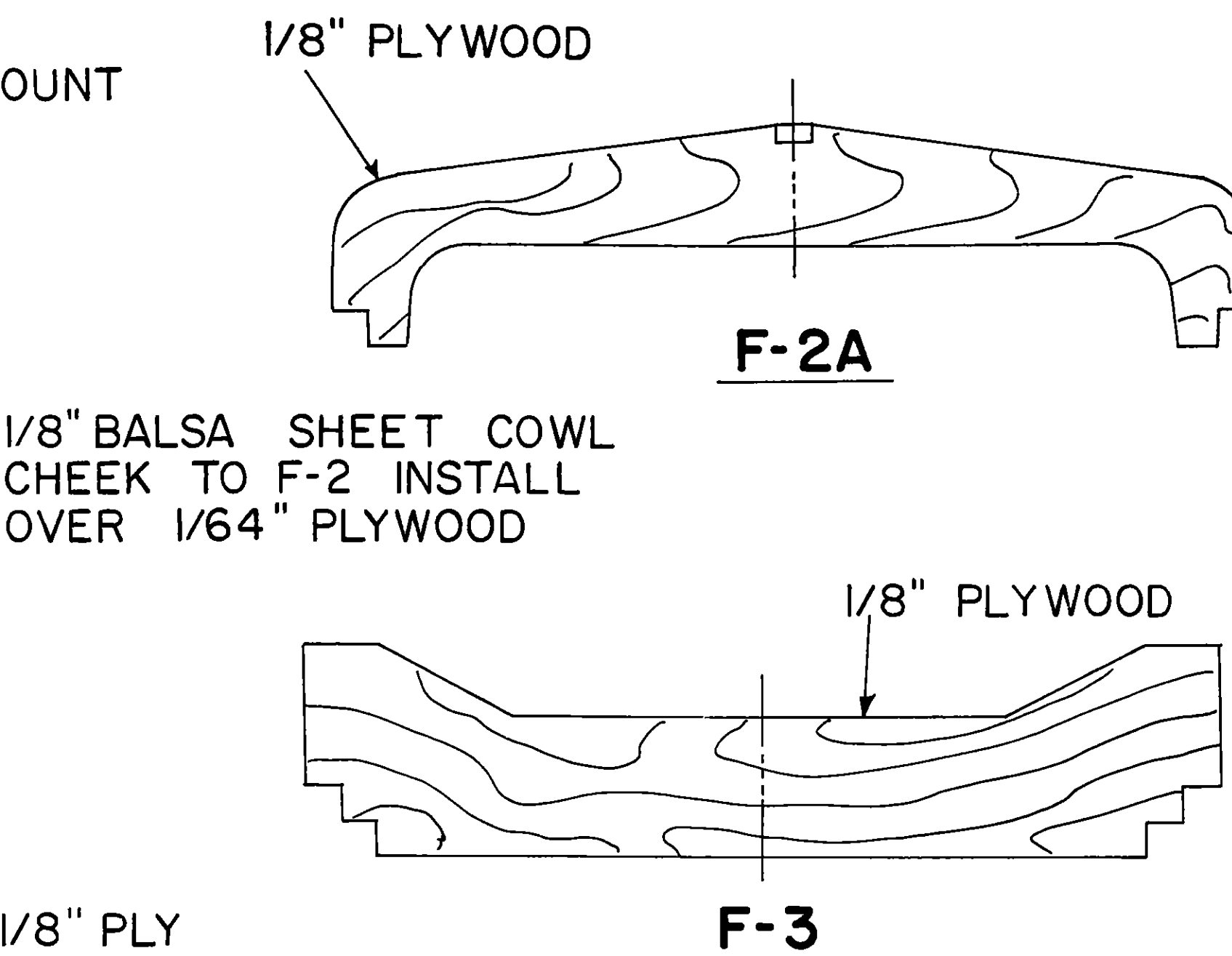
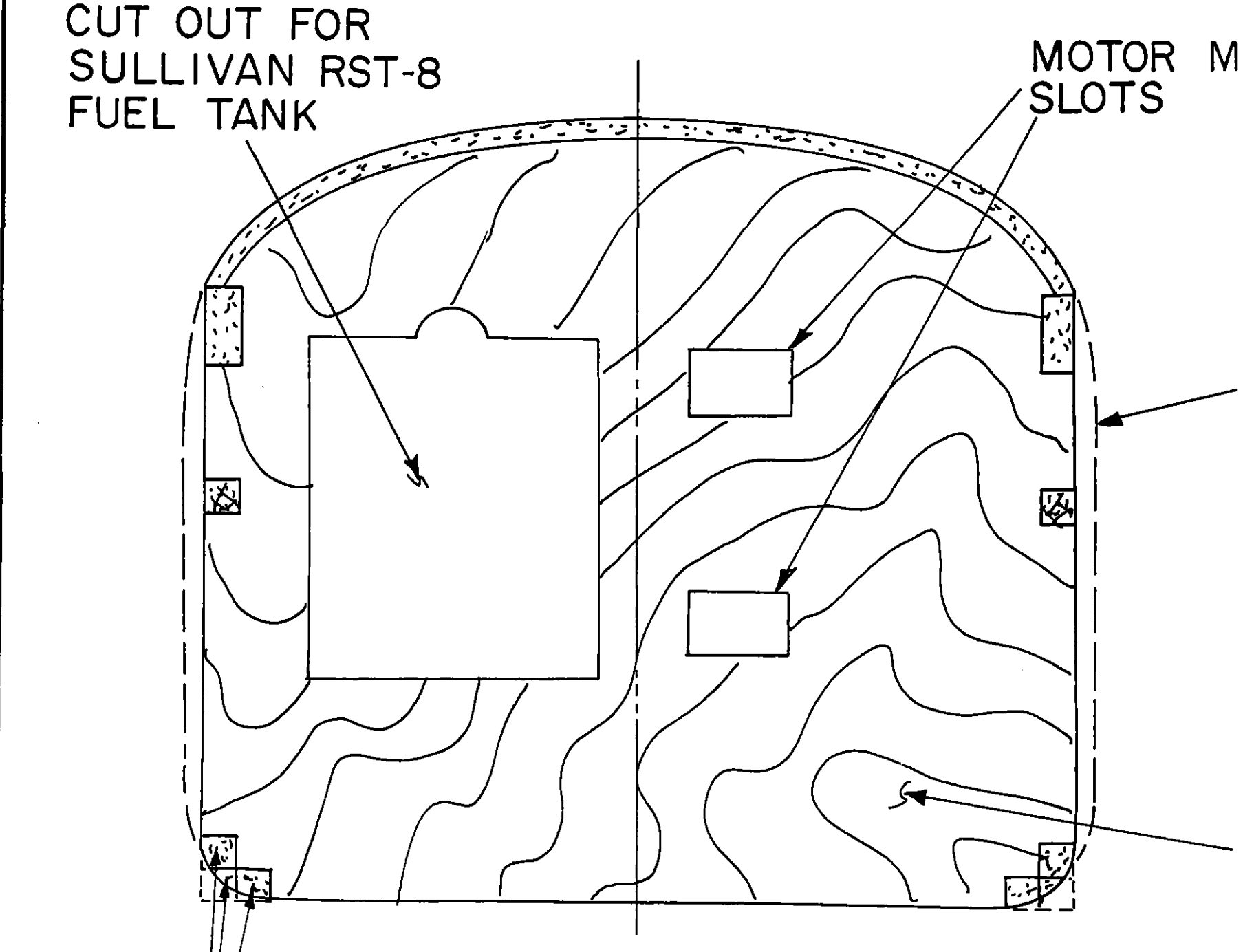


CUT OUT FOR SULLIVAN RST-8 FUEL TANK

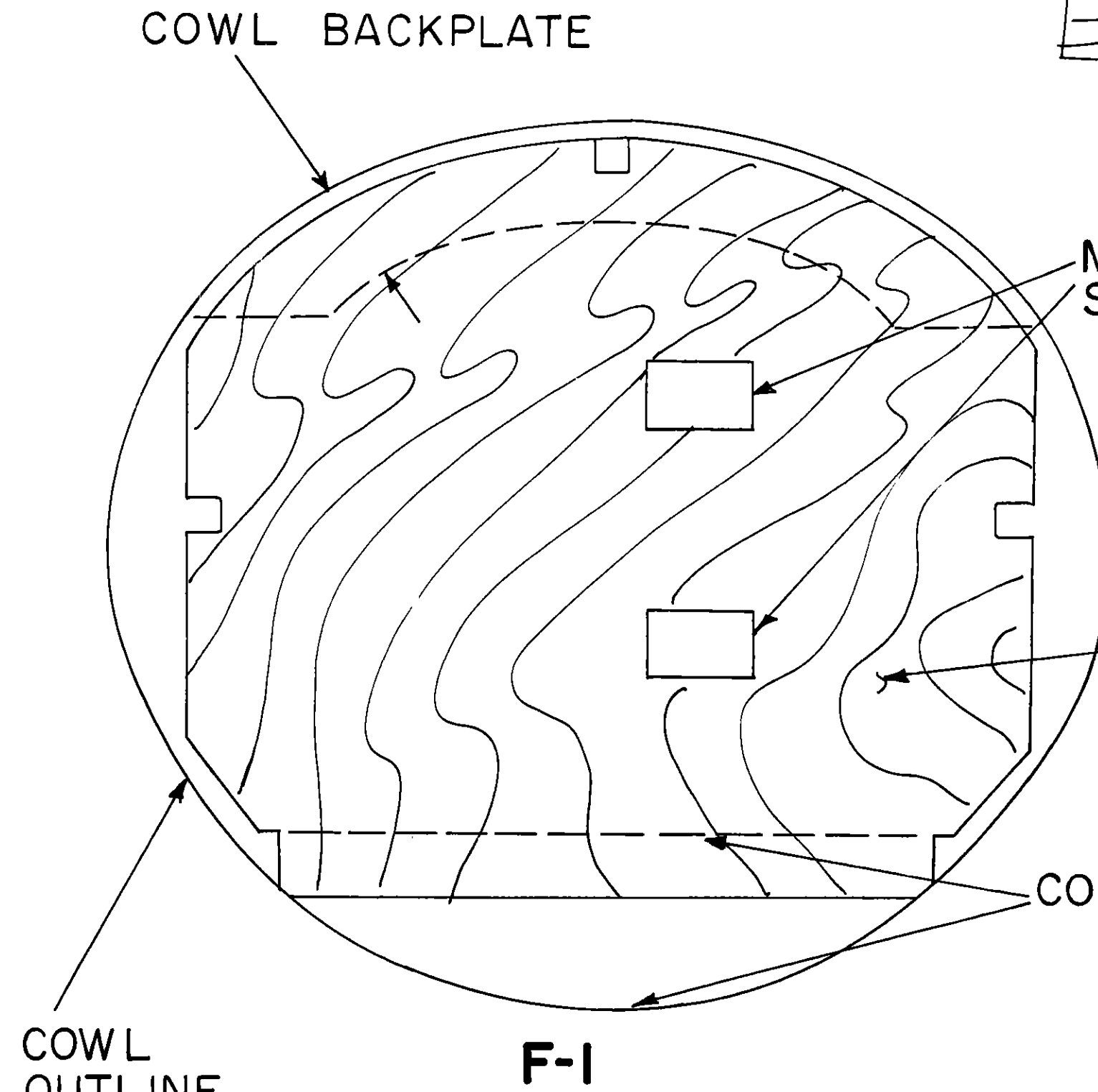


NOTE: 1/8" LITE PLY MAY BE USED FOR FORMERS F-2 THRU F-5

TOP VIEW

BOTTOM VIEW

TYPICAL FUSELAGE FRAME



NOTE: IF THIS CONFIGURATION OF ENGINE / MOTOR MOUNT IS USED THE F-1 & F-2 FORMERS MUST BE STRENGTHENED

COWLING FROM:
NORTHWEST HOBBY SUPPLY
13923 PACIFIC AVE. SO.
TACOMA, WA. 98444

NOTE: ALL BALSA USED IS MEDIUM EXCEPT WHERE NOTED

FUSELAGE SIDE VIEW

FIN

RUD.

△ = 1/64" PLYWOOD

NOTE: SEE TEXT FOR PRE-MADE FLOATS AND OPTIONS - SHEET 2 SHOWS CONSTRUCTION INFORMATION

FLOATS

32.5" "V" BOTTOM FLOATS

.015" ALUMINUM WATER RUDDER

SPECIFICATIONS

WING SPAN	70-1/4"
WING CHORD	8"
WING AREA	562 SQ. IN.
STAB. SPAN	23-1/2"
FUSELAGE LENGTH	46-1/4"
FLOAT LENGTH	32.5" TO 36"
ENGINE	40 4 CYCLE TO .50

SHEET 1 OF 2

PLAN 10891

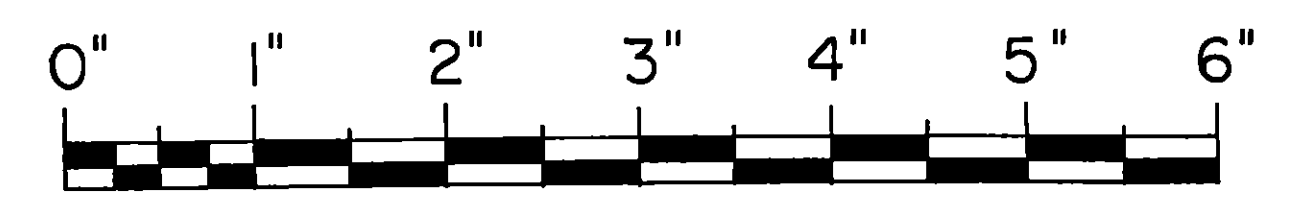
MODEL AIRPLANE NEWS

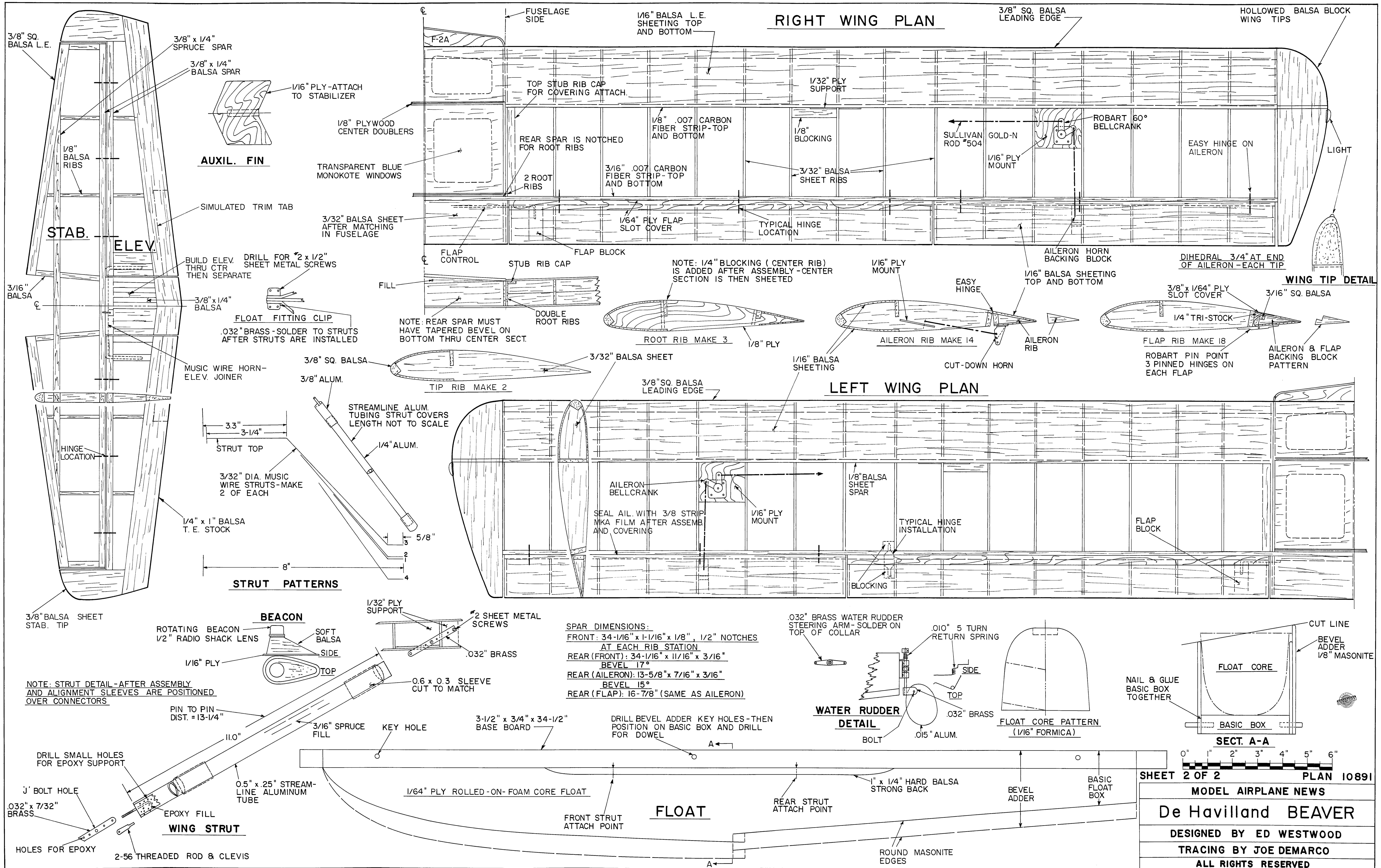
De Havilland BEAVER

DESIGNED BY ED WESTWOOD

TRACING BY JOE DEMARCO

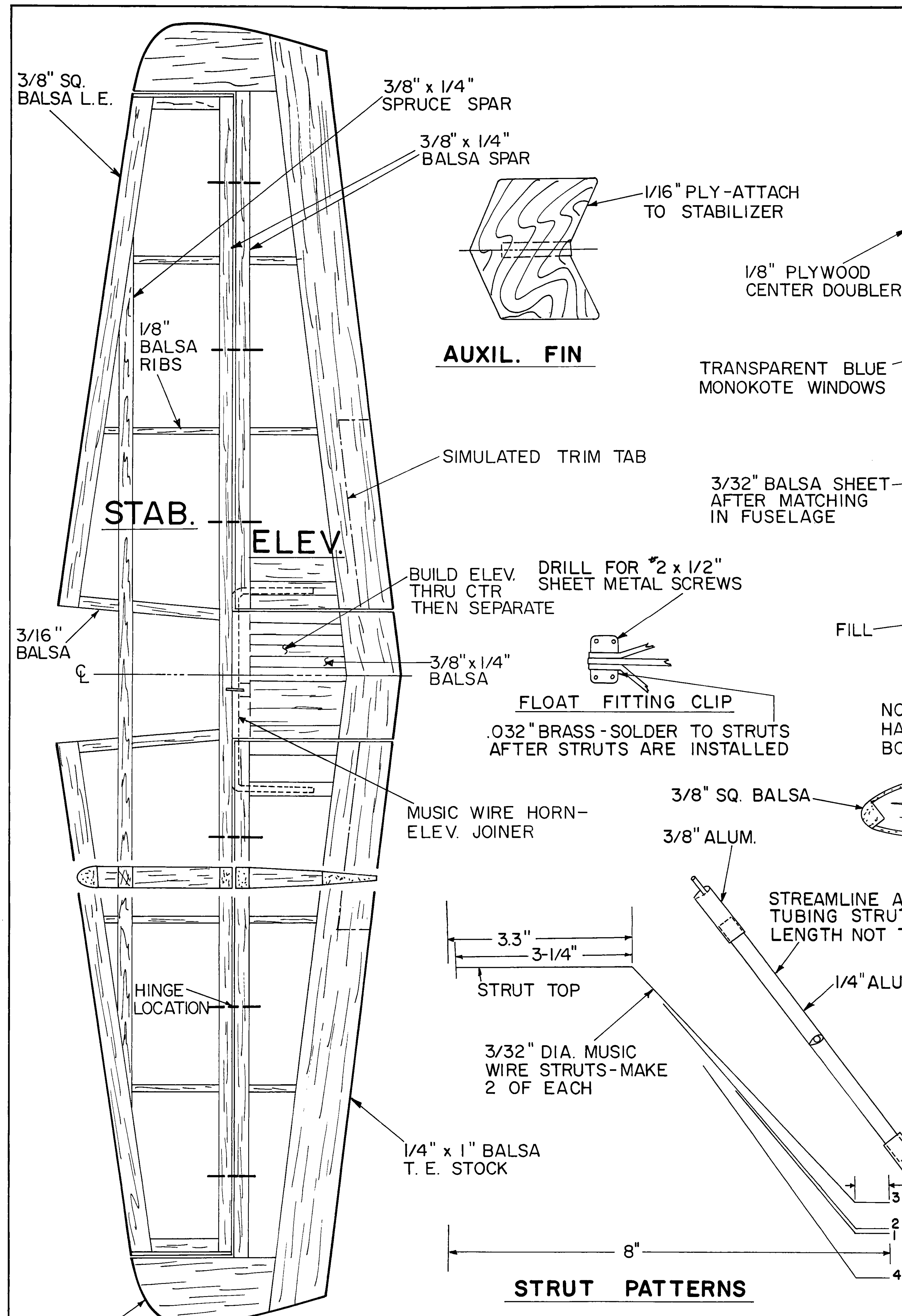
ALL RIGHTS RESERVED





RIGHT WING PLAN

3/8" SQ. Balsa LEADING EDGE
HOLLOWED Balsa BLOCK WING TIPS



AUXIL. FIN

1/16" PLY-ATTACH TO STABILIZER

DRILL FOR #2 x 1/2" SHEET METAL SCREWS
BUILD ELEV. THRU CTR THEN SEPARATE

FLOAT FITTING CLIP
.032" BRASS-SOLDER TO STRUTS AFTER STRUTS ARE INSTALLED

1/4" x 1" Balsa T.E. STOCK

3.3" 3-1/4" STRUT TOP

3/32" DIA. MUSIC WIRE STRUTS-MAKE 2 OF EACH

1/4" x 1" Balsa T.E. STOCK

8"

STRUT PATTERNS

BEACON

ROTATING BEACON 1/2" RADIO SHACK LENS
SOFT Balsa
SIDE
TOP

1/16" PLY

PIN TO PIN DIST. = 13-1/4"

11.0"

DRILL SMALL HOLES FOR EPOXY SUPPORT

J' BOLT HOLE

.032" x 7/32" BRASS

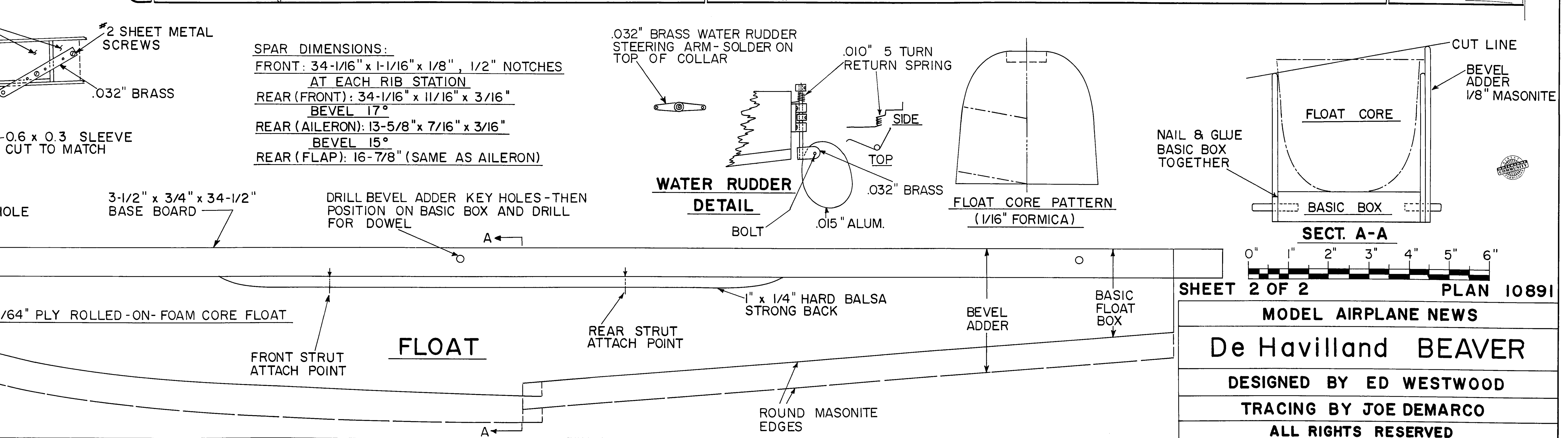
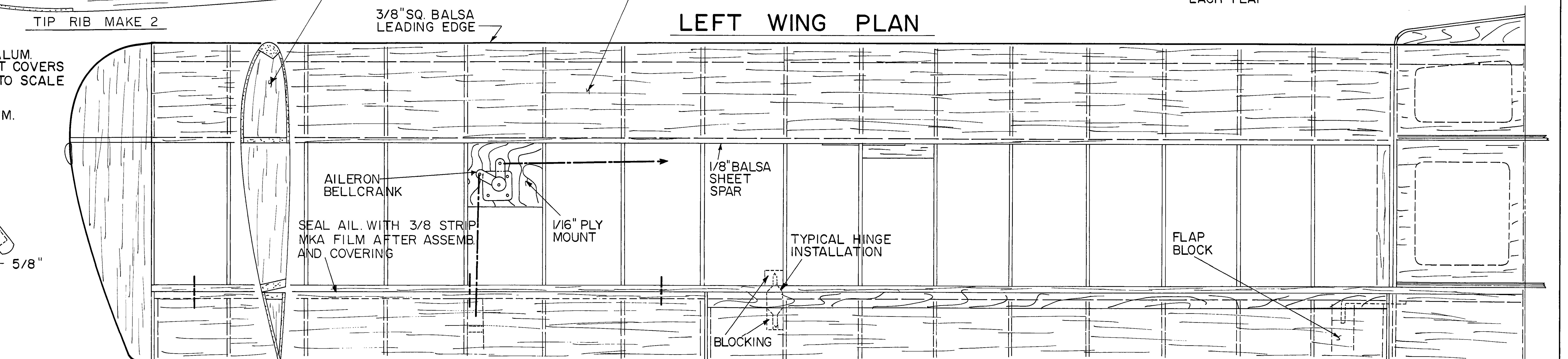
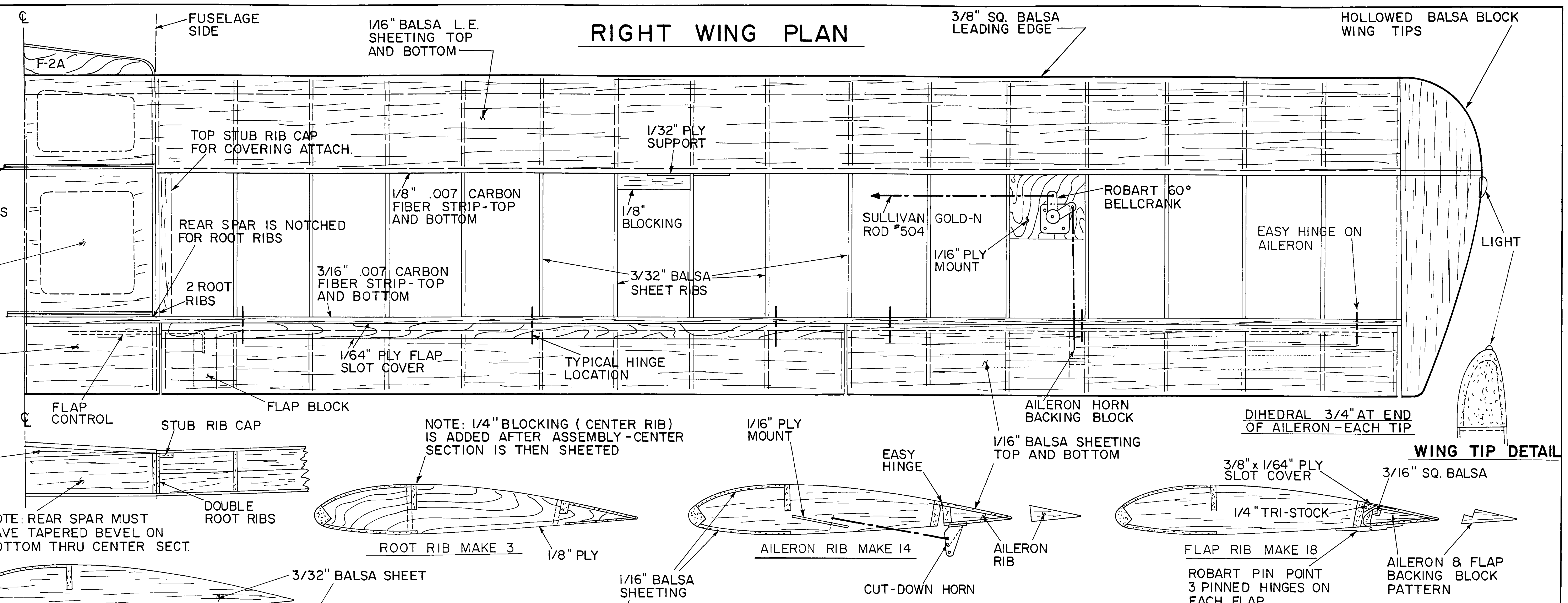
HOLES FOR EPOXY

WING STRUT

EPOXY FILL

2-56 THREADED ROD & CLEVIS

0.5" x .25" STREAMLINE ALUMINUM TUBE



SPAR DIMENSIONS:
FRONT: 34-1/16" x 1-1/16" x 1/8", 1/2" NOTCHES AT EACH RIB STATION
REAR (FRONT): 34-1/16" x 11/16" x 3/16" BEVEL 17°
REAR (AILERON): 13-5/8" x 7/16" x 3/16" BEVEL 15°
REAR (FLAP): 16-7/8" (SAME AS AILERON)